

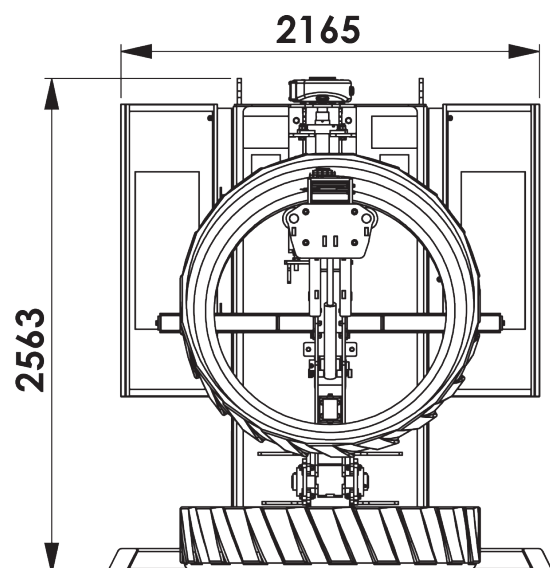
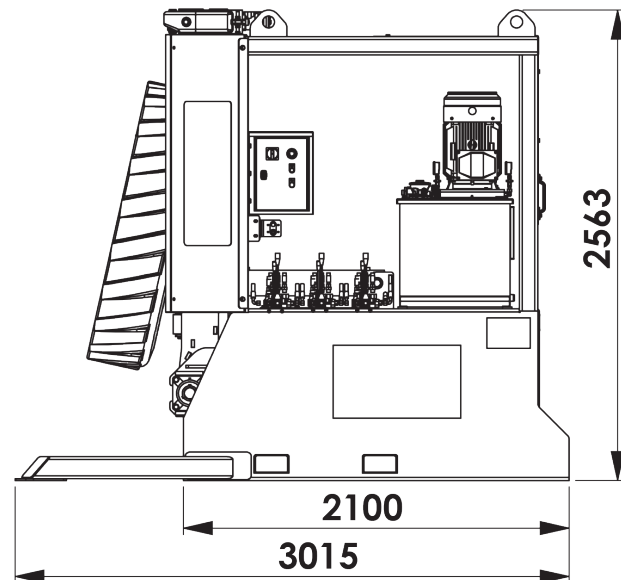
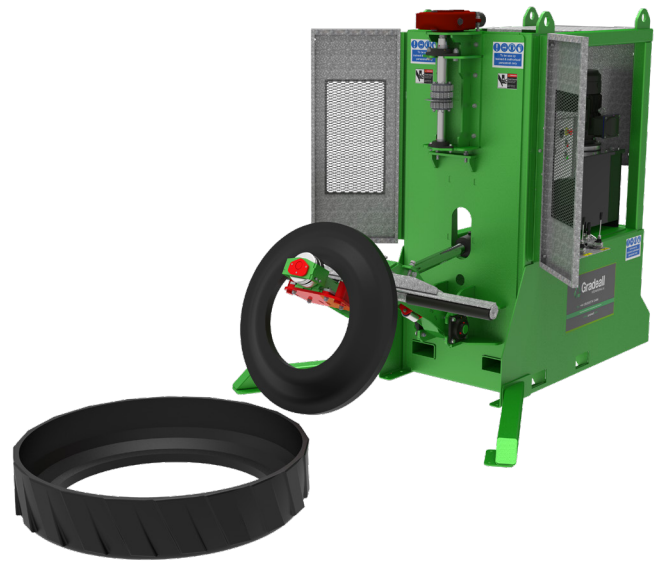
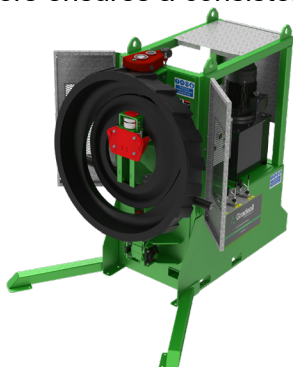
# OTR SIDEWALL CUTTER

## ENGINEERING SOLUTIONS FOR THE WASTE & RECYCLING INDUSTRIES

The Gradeall OTR sidewall cutter has been developed from our experience of the well established Gradeall truck tyre sidewall cutter. Specifically the Gradeall OTR sidewall cutter has been designed to cut the large tyres fitted on 'Off The Road' OTR equipment such as the heavy plant used at quarries and mines. This machine provides a cost effective and easy to operate solution to what, for a long time has been a hard to deal with type of waste.

This machine will cut OTR tyres in excess of 2000mm, a heavy duty chassis balanced for the extreme weights of these tyres ensures the machine remains firmly fixed to the ground and able to cut tyres with ease. With the sidewall removed the bead is isolated from the tyre making it significantly easier process the tyre further by various means including shredding.

- Cut large OTR off the road tyres
- Simple to operate hydraulic control levers
- Easy to change blade
- Quick isolation of the tyre bead
- Tyre rollers ensures a consistent quality of cut



Model	OTR Sidewall Cutter
Height (mm)	2563
Length (mm)	3015
Width (mm)	2165
Power supply	415v 3 Phase
Motor Size (Kw)	15
Machine weight (Kg)	2500
Noise Level (dB)	80



Gradeall International Limited  
9 Furlough Road,  
Dungannon, County Tyrone  
Northern Ireland  
BT71 4DT



Tel: +44 (0)28 8774 0484  
Fax: +44 (0)28 8774 8823  
Email: sales@gradeall.com  
Stephen: +447 7035 29008  
Alan: +447 4357 64008



[www.gradeall.com](http://www.gradeall.com)

