

# WIPER TYPE CLOTHES BALER

## ENGINEERING SOLUTIONS FOR THE WASTE & RECYCLING INDUSTRIES

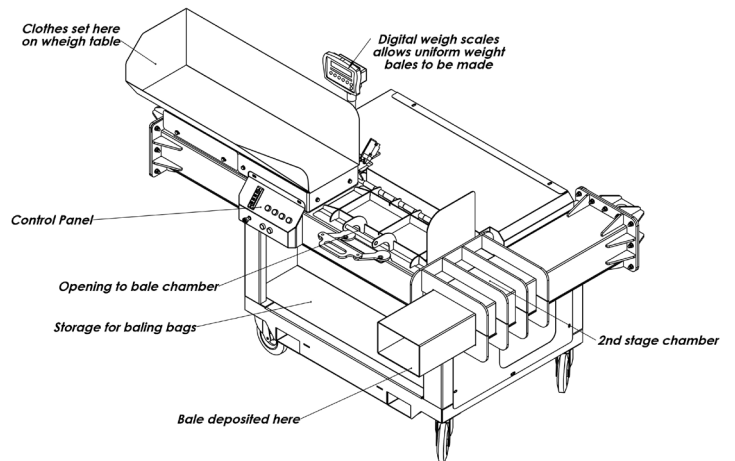
The Gradeall wiper press clothes baler has been designed with the textile industry in mind. It allows the user to bale rags or other textiles into neat bales for transport.

The dual ram layout of this baler initially compacts the material into a holding chamber. Whilst the secondary ram ejects the material outward where it can be deposited into bags. An integrated work area with scales makes packaging bags of rags easier, to ensure a more consistent bale weight. It is these "rag bags" which provide cheap effective cleaning rags typically found for sale in tool shops and motor factors.

Complete with large castor wheels the wiper press clothes baler can move seamlessly around on-site, Integrated forklift slots allow it to be lifted around and moved using a forklift truck.



- Accurate digital weighing scales
- Integrated holding shelf for consumables
- Simple safe and easy to use controls
- Coded keypad start available for controls
- Castor wheels to allow easy movement on site
- Bales can be sold as rag bags for use by mechanics or manufacturing facilities.



Model	Clothes Baler
Height (mm)	1721
Depth (mm)	1686
Width (mm)	2541
Power supply	415v 3 Phase
Motor Size (Kw)	7.5
Full bale cycle time (Seconds)	110
Motor Size (KW)	7.5
Compaction Force (Tonne)	8
Machine Weight (Kg)	900
Average Bale Weight (Kg)	10
Bale Size (mm)	400x300x200

