

G140 STATIC COMPACTOR

ENGINEERING SOLUTIONS FOR THE WASTE & RECYCLING INDUSTRIES

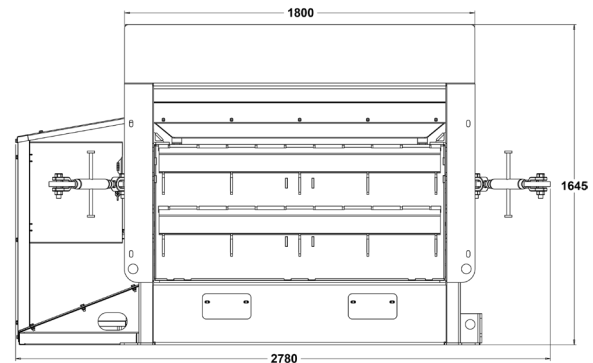
The Gradeall G140 is a large heavy duty static compactor designed to crush and compress a wide range of materials including but not limited to cardboard, plastics, wet waste, green and general waste.

The G140 offers superb levels of versatility and durability. A wide range of options are available including walk on deck loading hoppers, sliding door hoppers, forklift or conveyor fed systems, bin lift systems and many more. The G140 can be adapted to suit a wide range of specific site requirements.

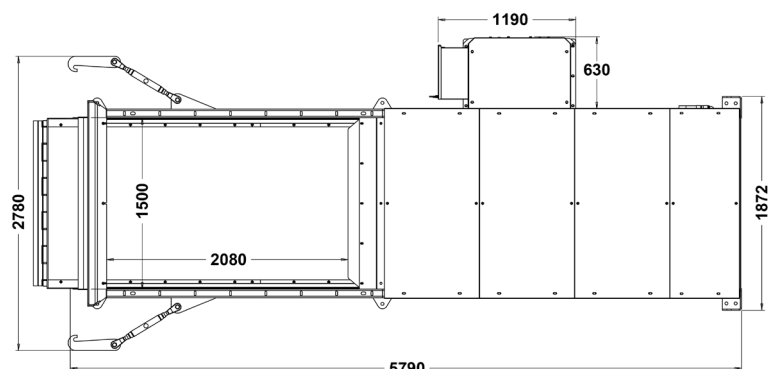
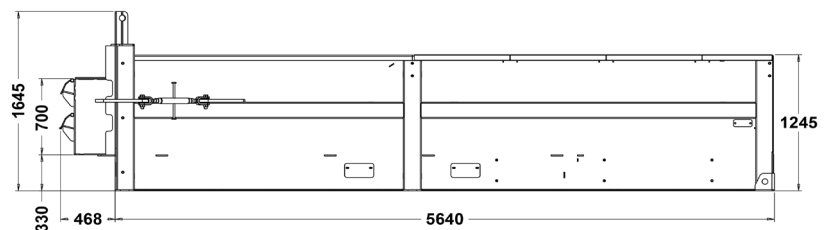


Pictured: G140 with walk on deck loading hopper

- Modular add ons - Multiple loading options available including deck loading, ground loading, bin lift, chute fed and much more.
- Ready to use with a 415V 3 phase supply
- Simple and easy to operate controls housed in a weatherproof IP55 housing. Lockable vandal proof covers available.
- Designed and tested to work with any CHEM complaint containers.
- 3D CAD drawings and renderings to provide realistic site drawings prior to ordering
- Intelli-Fill remote monitoring and diagnostics system built in. Provides automatic alerts when container is full.



Model	G140
Height (mm)	1645
Length (mm)	5640
Width (mm)	1800
Width (mm) including accessories	2780
Power supply	415v 3 Phase
Cycle time (Seconds)	90: 55 forward, 35 backward
Compaction force (Tonne)	30
Motor Size (KW)	7.5 to 15
Charge box capacity (m ³)	3.22
Swept volume of waste (m ³)	2.8
Penetration into container (mm)	468
Machine Weight (Kg)	4140
Clear top opening WxL (mm)	1500 x 2080
Ram Bore / Ram Stroke (mm)	90 / 2700



Note: Dimensions can vary due to design revisions, and specific options selected. Gradeall will provide 3D CAD generated drawings for site layouts when ordering equipment.